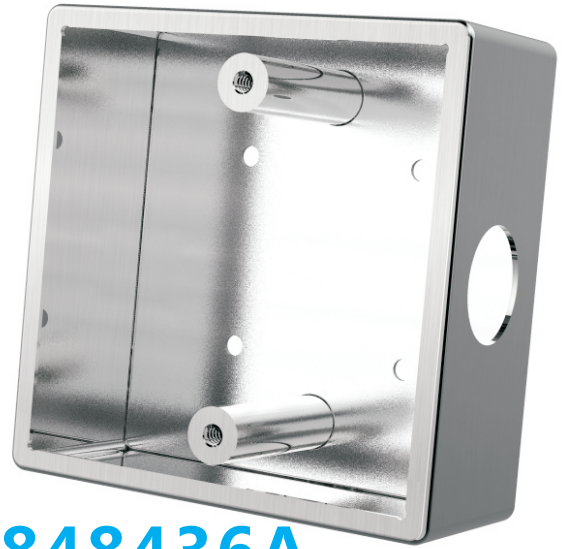
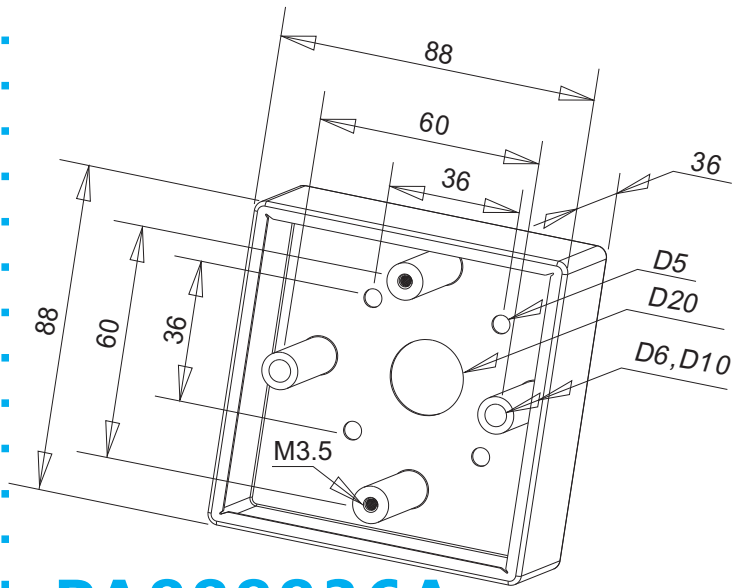


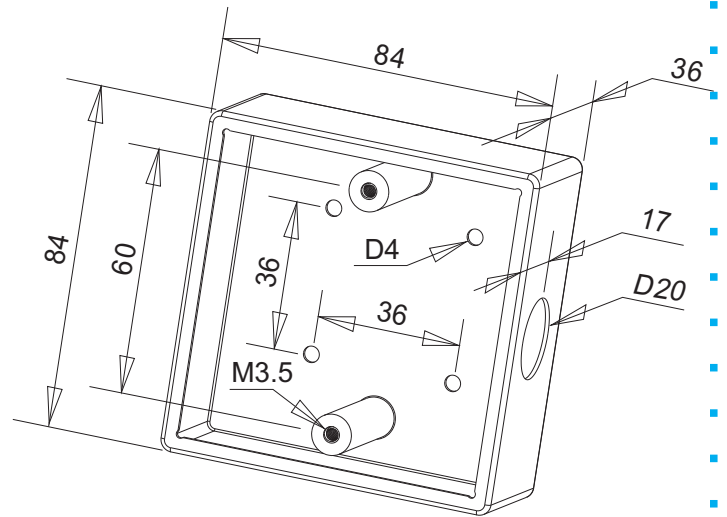
PA888836A



PA848436A



PA888836A



PA848436A

Stainless Steel Plate

Material	Stainless Steel
Size	88*88*36mm
Thickness	1mm
Pitch	60mm
Central aperture	20mm
Weight	250g
Screw hole	M3.5mm
适配面板	

Stainless Steel Plate

Material	Stainless Steel
Size	84*84*36mm
Thickness	1mm
Pitch	60mm
Central aperture	20mm
Weight	250g
Screw hole	M3.5mm
适配面板	