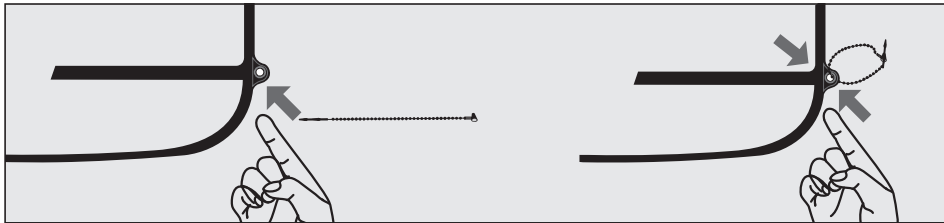
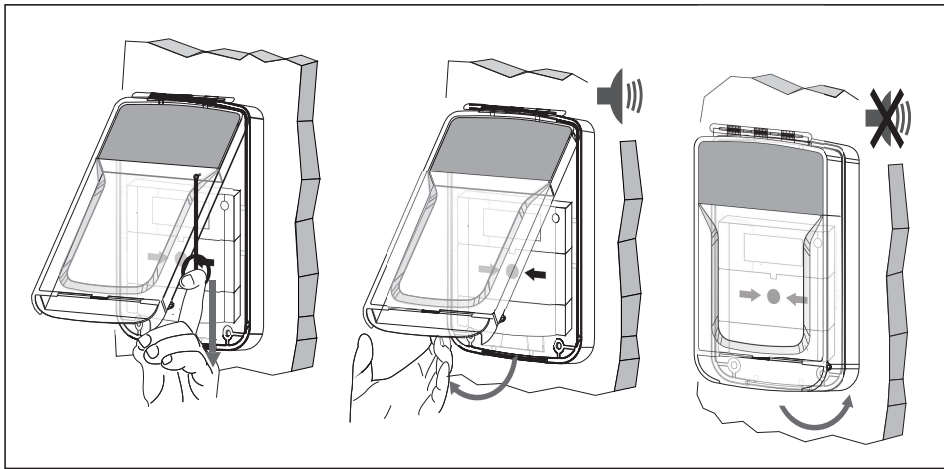
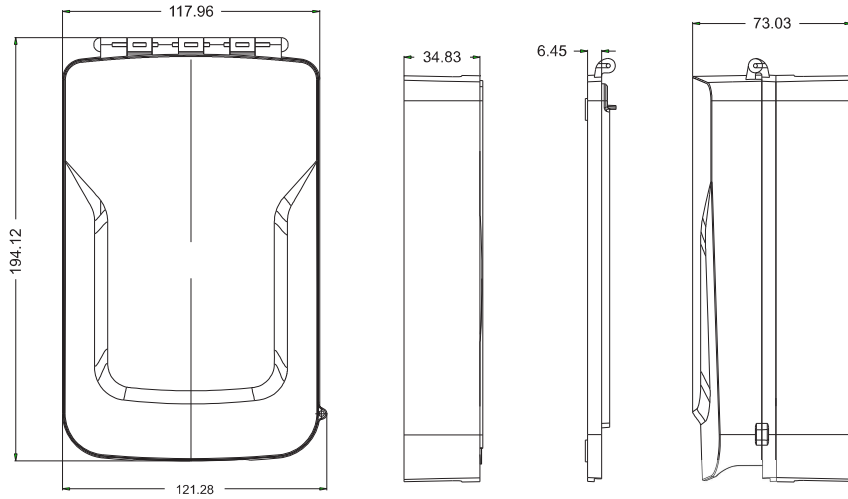


Dimensions



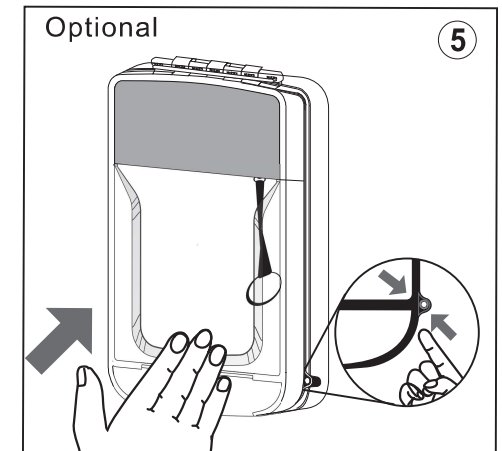
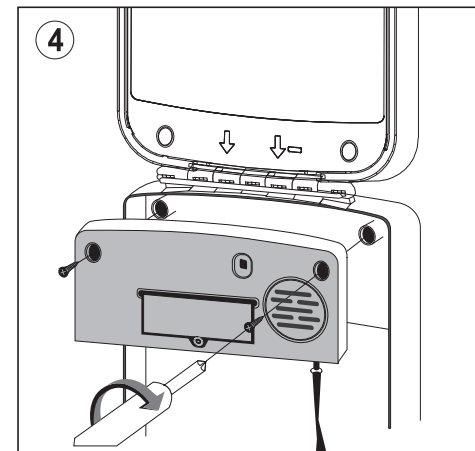
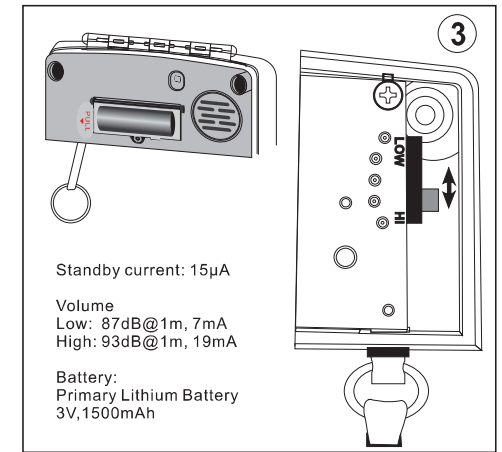
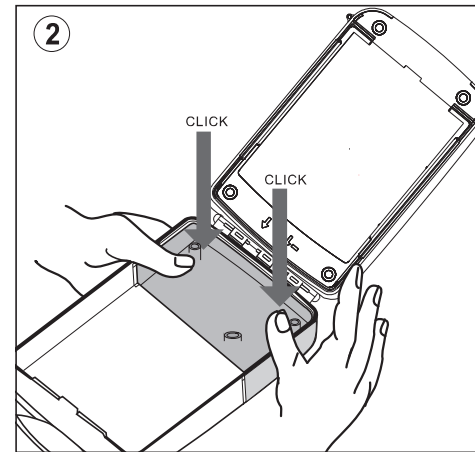
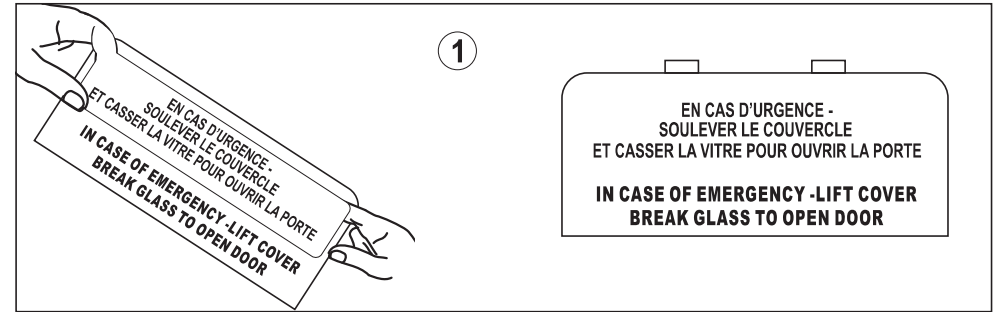
Designed by Smart Protector.
 Manufactured by P&H support@smartprotector.biz

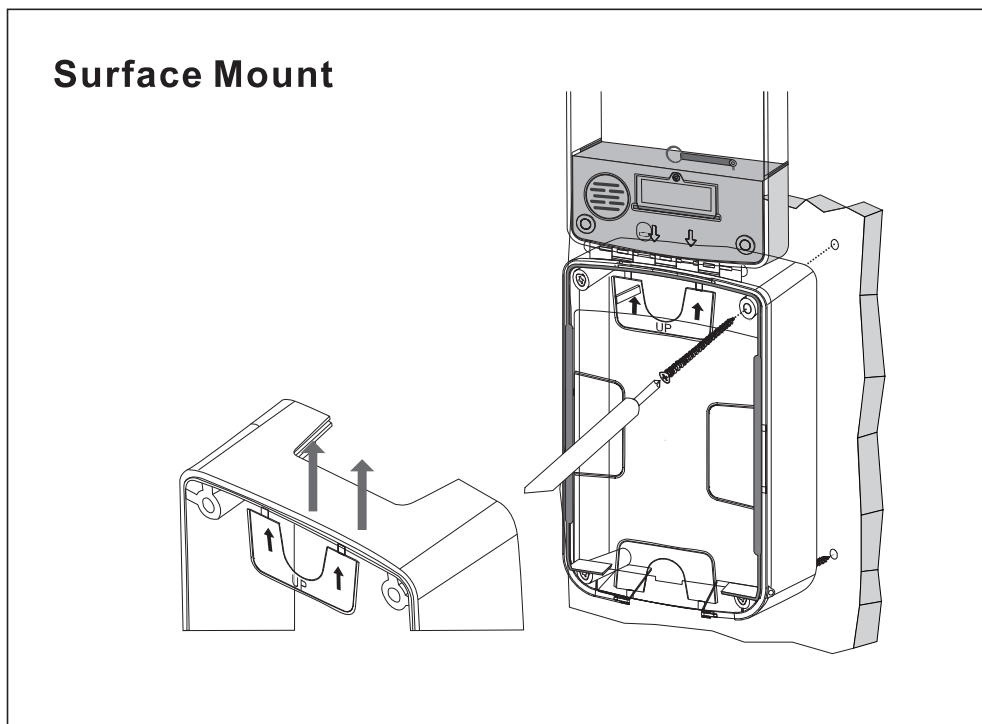
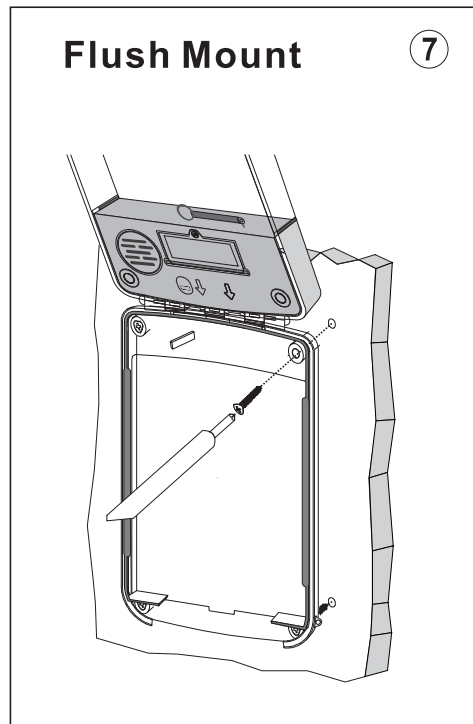
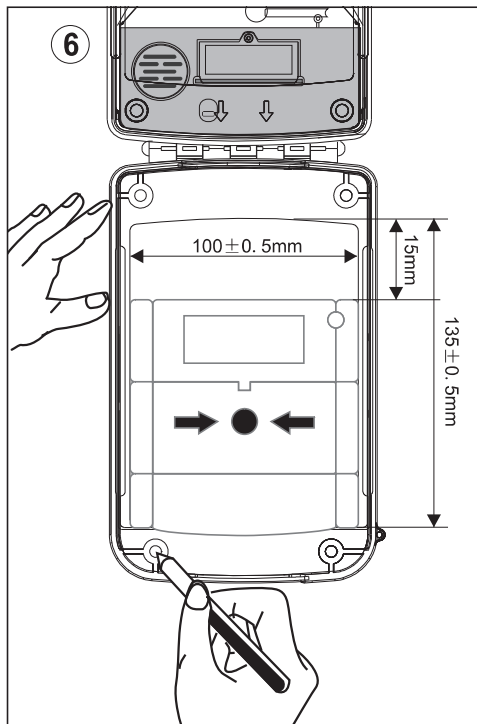
REACH
 SVHC Certificate



SMART PROTECTOR Installation Data

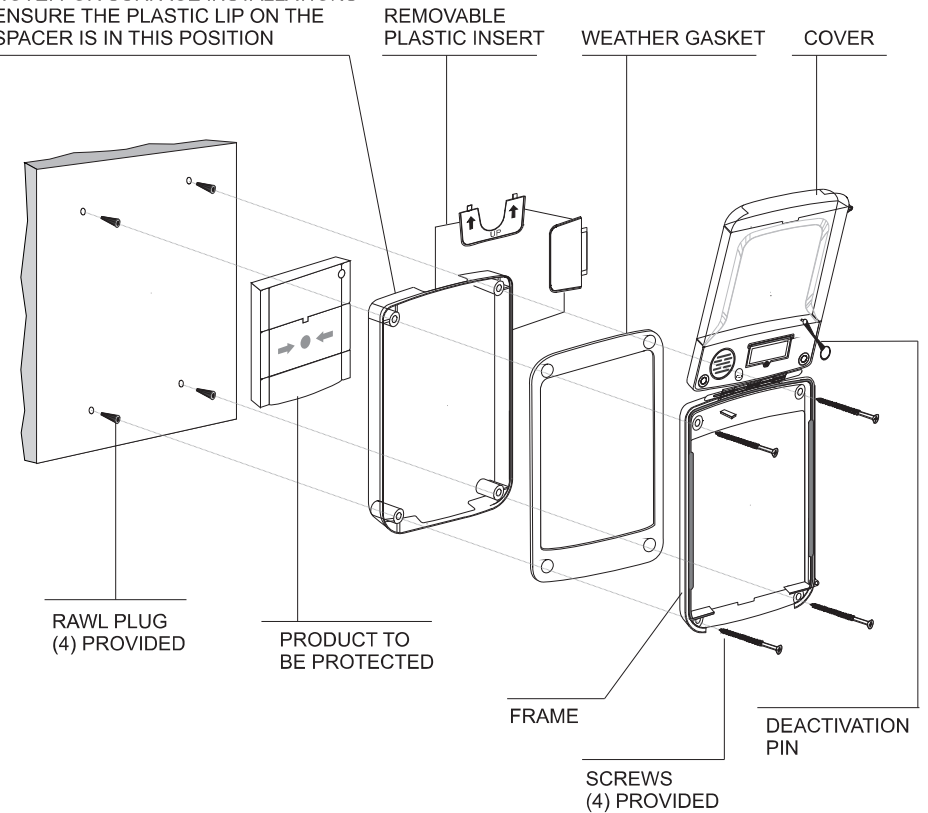
The smart protector is a sleek protective cover that provide alarm & protection from false activation, vandalism, accidental damage or misuse.
 Universal protector for different brands of manual call point





Accessories

NOTE: FOR SURFACE INSTALLATIONS
ENSURE THE PLASTIC LIP ON THE
SPACER IS IN THIS POSITION



Accessories

1. Smart Protector	1	5. Deactivation pin	1
2. Spacer Frame	1	6. Rawl Plug	4
3. Green Shell	1	7. Lock Seal	1
Red shell	1	8. PCB Box	1
4. Screws: PA1.7*6mm	1	9. Language sticker	26
PA2.6*10mm	2	10. Weather Gasket	1
KA5*80mm	4	11. Battery	1
KA5*45mm	4		