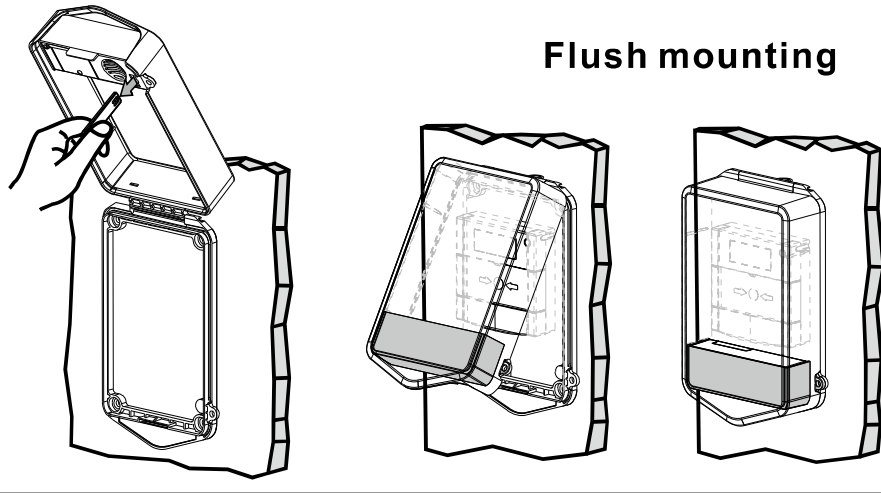
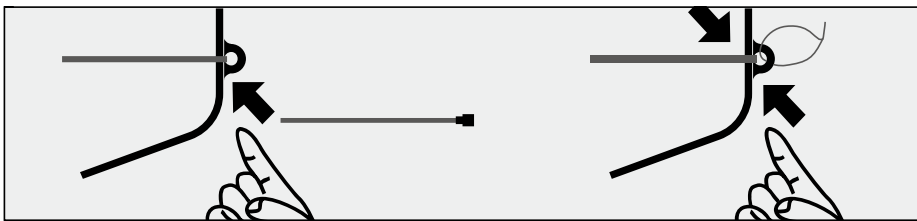
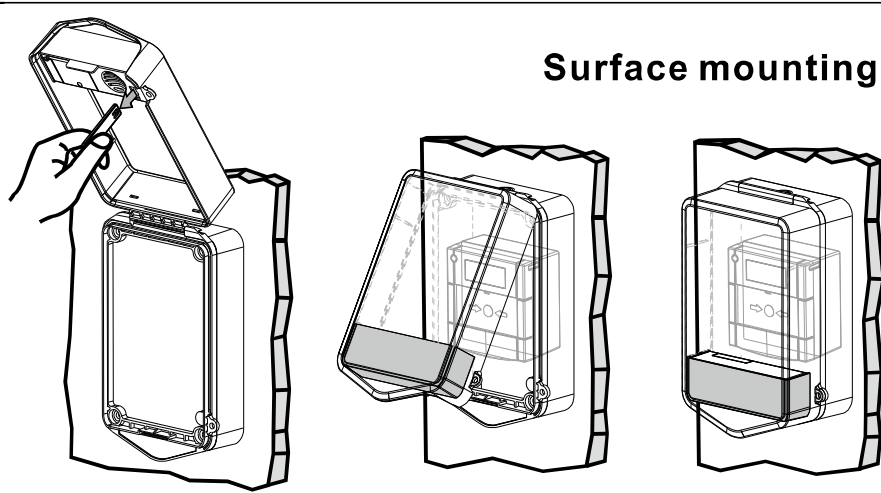


Flush mounting



Surface mounting



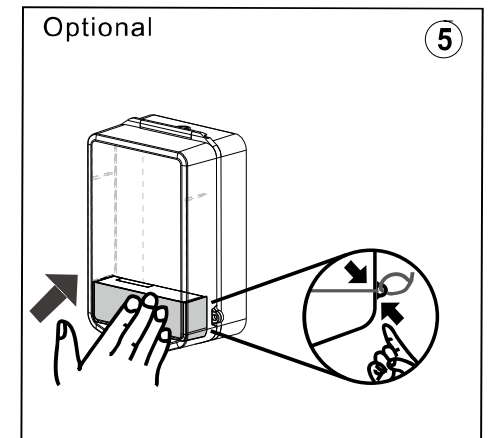
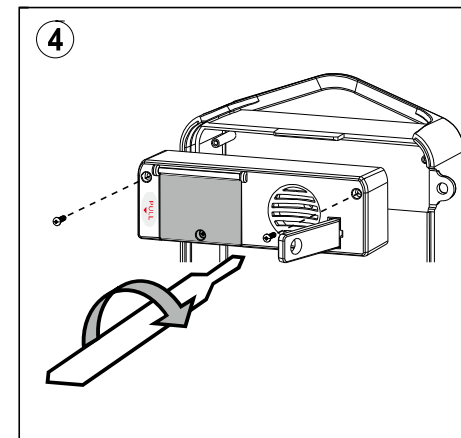
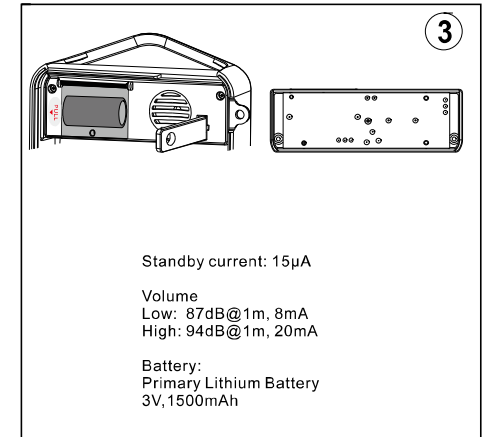
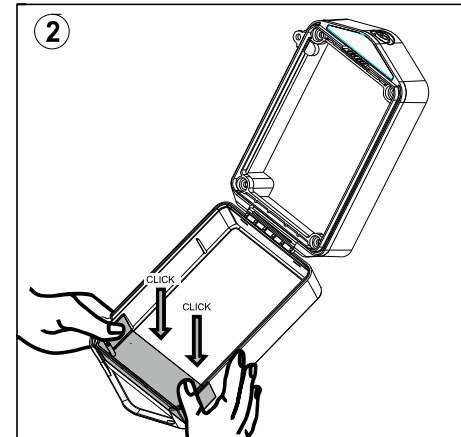
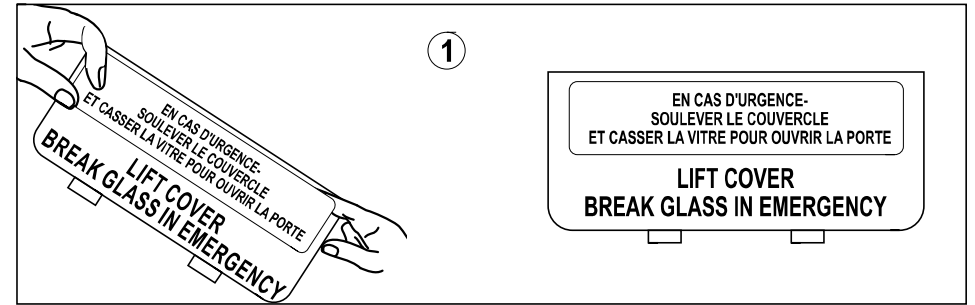
Designed by Smart Protector.

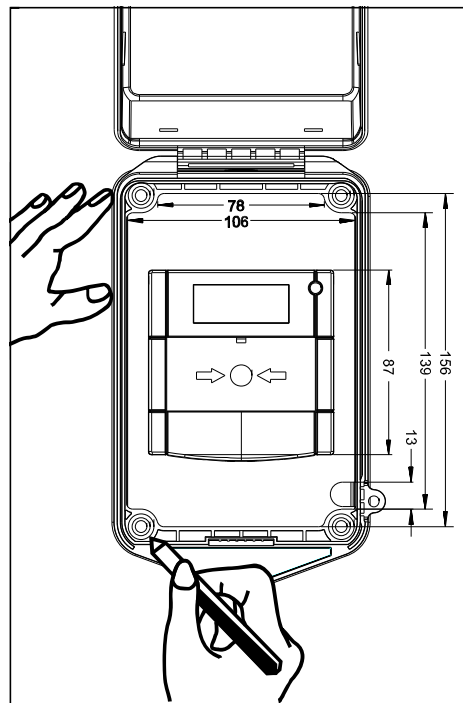
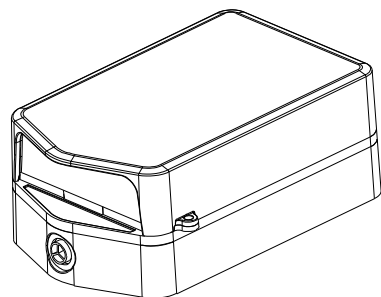
REACH
SVHC Certificate



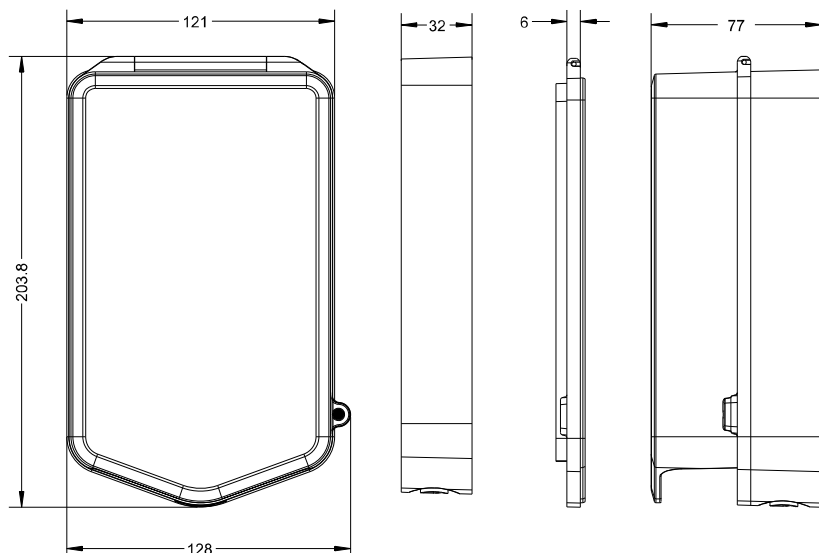
SMART PROTECTOR Installation Data

The smart protector is a sleek protective cover that provide alarm & protection from false activation, vandalism, accidental damage or misuse.
Universal protector for different brands of manual call point



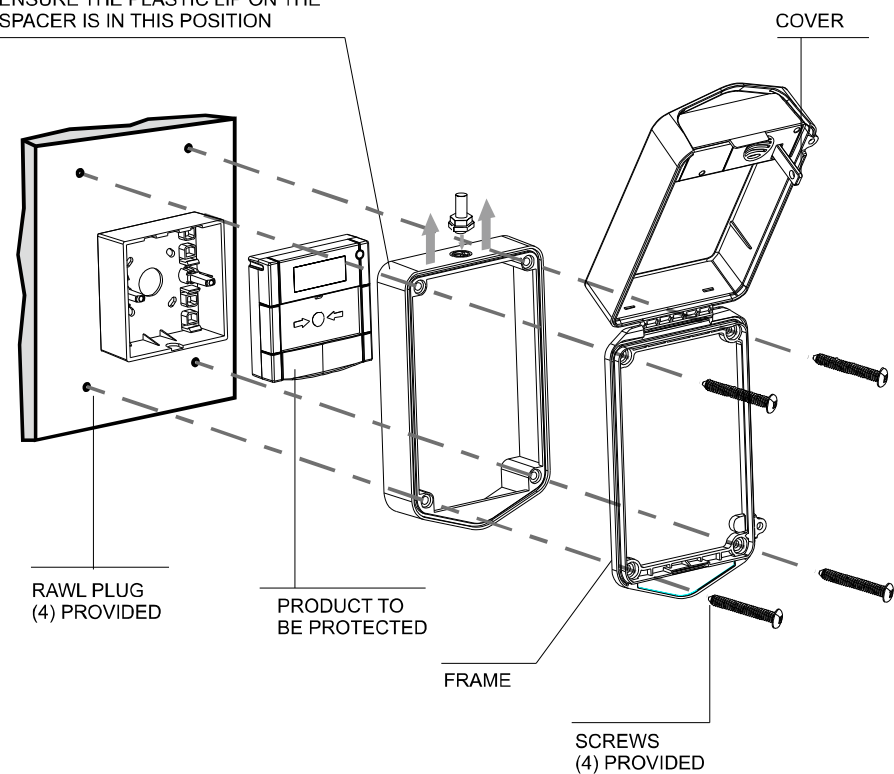


Dimensions



Accessories

NOTE: FOR SURFACE INSTALLATIONS
ENSURE THE PLASTIC LIP ON THE
SPACER IS IN THIS POSITION



Accessories

1. Smart Protector	1	5. Deactivation key	1
2. Spacer Frame	1	6. Rawl Plug	4
3. Green Shell	1	7. Lock Seal	1
Red shell	1	8. PCB Box	1
4. Screws: PA2*6mm	2	9. Weather Gasket	1
PA2.6*10mm	2	10. Battery	1
KA5*80mm	4		
KA5*45mm	4		